

TYPE: GMV-LF-AC-ANSI53-LBS150

LOOSE LAP-JOINT FLANGE WITH STUB END

DIMENSIONS ACCORDING TO ANSI B16.5 150 LBS

TYPE

- Loose lap-joint flange with stub end
- Dimension according to ANSI B16.5 150 lbs

STANDARD

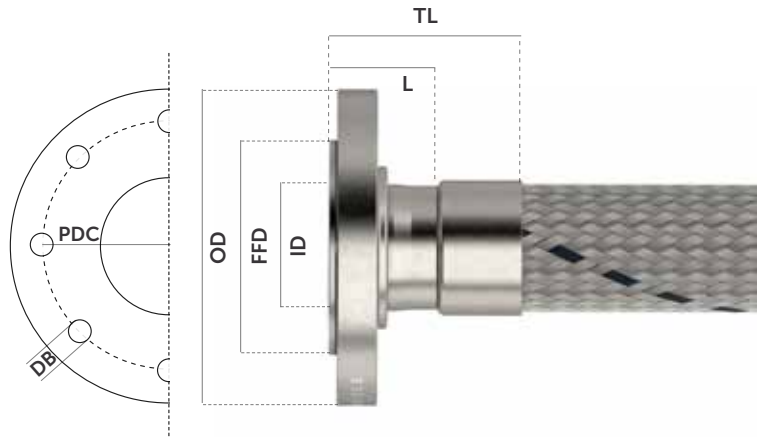
- ISO 10806:2003
- ASME/ANSI B16.5

MATERIAL

- Flange: carbon steel
- Collar: SS AISI 316L (w.nr. 1.4404)

OTHER SPECIFICATION

- Other materials for flange and collar are also available: carbon steel, SS AISI 304 (w.nr. 1.4301),...
- Other pressure ratings are also available: 300 lbs - 600 lbs
- Material certificate acc. EN 10204:2004 type 3.1



TYPE: GMV-LF-AC-ANSI53-LBS150

Code	For hose ID		L		BN	DB		PDC		OD		ID		TL		FFD	
	NB	inch	mm	inch		mm	inch	mm	inch	mm	inch	mm	inch	mm	inch	mm	inch
GMW-LF-C-ANSI53-150lbs-1/2"	DN12	1/2"	48.0	1.89	4	15.7	0.62	60.5	2.38	88.9	3.50	10.26	0.40	69.0	2.72	35.1	1.40
GMW-LF-C-ANSI53-150lbs-3/4"	DN20	3/4"	48.0	1.89	4	15.7	0.62	69.9	2.75	98.6	3.88	20.26	0.80	69.0	2.72	42.9	1.69
GMW-LF-C-ANSI53-150lbs-1"	DN25	1"	48.0	1.89	4	15.7	0.62	79.2	3.12	108	4.25	23.84	0.94	69.0	2.72	50.8	2.00
GMW-LF-C-ANSI53-150lbs-1 1/4"	DN32	1.1/4"	48.0	1.89	4	15.7	0.62	88.9	3.50	117.3	4.62	32.58	1.28	73.0	2.87	63.5	2.50
GMW-LF-C-ANSI53-150lbs-1 1/2"	DN40	1.1/2"	48.0	1.89	4	15.7	0.62	98.6	3.88	127	5.00	48.94	1.93	74.0	2.91	73.2	2.88
GMW-LF-C-ANSI53-150lbs-2"	DN50	2"	60.0	2.36	4	19.1	0.75	120.7	4.75	152.4	6.00	50.98	2.01	86.0	3.39	91.9	3.62
GMW-LF-C-ANSI53-150lbs-2 1/2"	DN65	2.1/2"	60.0	2.36	8	19.1	0.75	139.7	5.50	177.8	7.00	65.78	2.59	86.0	3.39	104.6	4.12
GMW-LF-C-ANSI53-150lbs-3"	DN80	3"	60.0	2.36	8	19.1	0.75	152.4	6.00	190.5	7.50	77.92	3.07	90.0	3.54	127.0	5.00
GMW-LF-C-ANSI53-150lbs-4"	DN100	4"	60.0	2.36	8	19.1	0.75	190.5	7.50	228.6	9.00	102.26	4.03	90.0	3.54	157.2	6.19
GMW-LF-C-ANSI53-150lbs-5"	DN125	5"	76.2	3.00	8	22.4	0.88	215.9	8.50	254	10.00	131.7	5.19	106.2	4.18	185.7	7.31
GMW-LF-C-ANSI53-150lbs-6"	DN150	6"	88.9	3.50	8	22.4	0.88	241.3	9.50	279.4	11.00	159.3	6.27	118.9	4.68	215.9	8.50
GMW-LF-C-ANSI53-150lbs-8"	DN200	8"	101.6	4.00	8	22.4	0.88	298.5	11.75	342.9	13.50	206.5	8.13	131.6	5.18	269.7	10.62

BN= number of bolts // DB= bolt diameter // PDC= bolt circle // FFD: flange facing dimensions